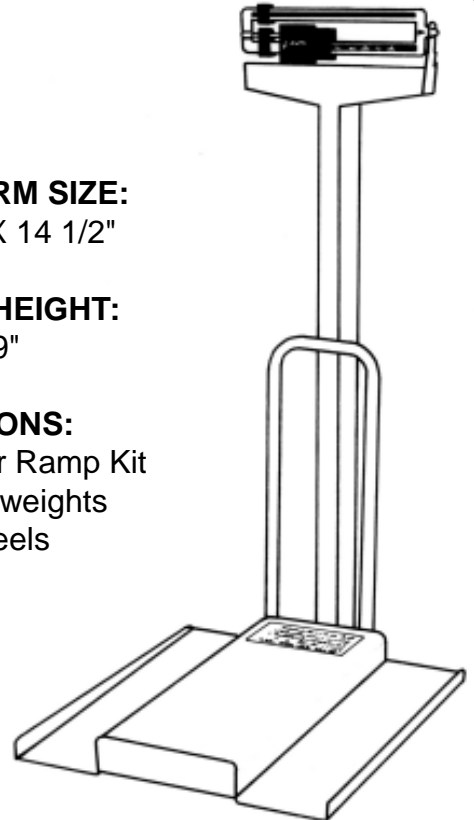


## Physician Scales

**MODELS:** 437, 438, 439, 449  
2391, 2381, 2491



**PLATFORM SIZE:**  
10 1/2" X 14 1/2"

**SCALE HEIGHT:**  
59"

**OPTIONS:**  
Wheelchair Ramp Kit  
Counterweights  
Wheels

Model	Capacity		Height Rod 30-78 in 75-192 cm	Wheels	Handpost	Ship Wt
	350 lb x 4 oz	140 kg x 100 g				
439	☆		☆			38 lb
2391		☆	☆			37 lb
438	☆		☆	☆		39 lb
2381		☆	☆	☆		39 lb
449	☆		☆		☆	43 lb
2491		☆	☆		☆	43 lb
437	☆					34 lb

**Die-cast beam, white, aluminum on black insert, easily read from either side**  
**Heavy-duty understructure**  
**Interchangeable parts**